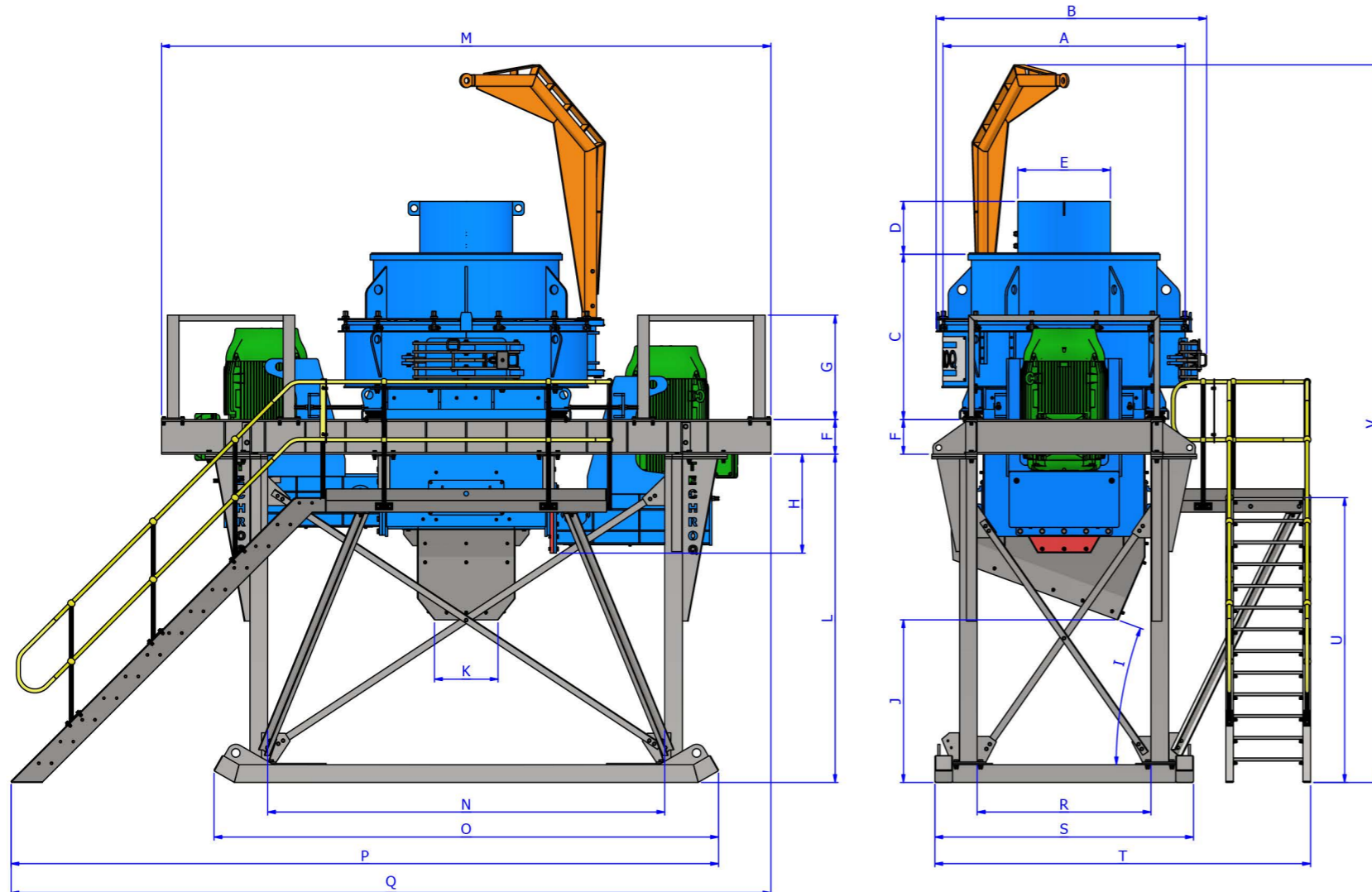


TECHROQ "T" SERIES DUAL DRIVE VSI CRUSHER DIMENTIONS

TECHROQ



	T6R DD		T7R DD		T8R DD		T9R DD	
	mm	inch	mm	inch	mm	inch	mm	inch
A	1534	60	1904	75	2090	82	2334	92
B	1767	70	2140	84	2335	92	2579	102
C	981	39	1427	56	1427	56	1427	56
D	480	19	456	18	456	18	456	18
E	800	31	800	31	800	31	800	31
F	200	8	300	12	300	12	300	12
G	900	35	900	35	900	35	900	35
H	622	24	853	34	853	34	853	34
I	18°	18°	18°	18°	18°	18°	18°	18°
J	1676	66	1405	55	1405	55	1405	55
K	417	16	550	22	550	22	550	22
L	2802	110	2834	112	2834	112	2834	112
M	4500	177	5260	207	5260	207	5260	207
N	2978	117	3428	135	3428	135	3428	135
O	3987	157	4355	171	4355	171	4355	171
P	5891	232	6107	240	6107	240	6107	240
Q	6148	242	6560	258	6560	258	6560	258
R	1167	46	1500	59	1500	59	1500	59
S	1991	78	2232	88	2232	88	2232	88
T	2938	116	3243	128	3243	128	3243	128
U	2427	96	2459	97	2459	97	2459	97
V	5709	225	6197	244	6197	244	6197	244



TECHROQ “T” SERIES DUAL DRIVE VSI CRUSHER SPECIFICATIONS

		T6R - DD	T7R - DD	T8R - DD	T9R - DD
WEIGHT (KG) EXCL. MOTORS		7,500	11,500	11,800	12,300
MAX FEED SIZE	mm	40	40	50	50
	inch	1,6	1,6	2	2
CAPACITY THROUGH ROTOR IN TONS PER HOUR		73-98	146-246	146-293	246-346
ROTOR (RPM)		1520-1800	1400-1800	1400-1800	1400-1800
MOTOR ALTERNATIVE	KW (X2)	55-110	110-185	110-220	185-260
	HP (X2)	74-148	148-248	148-295	248-349