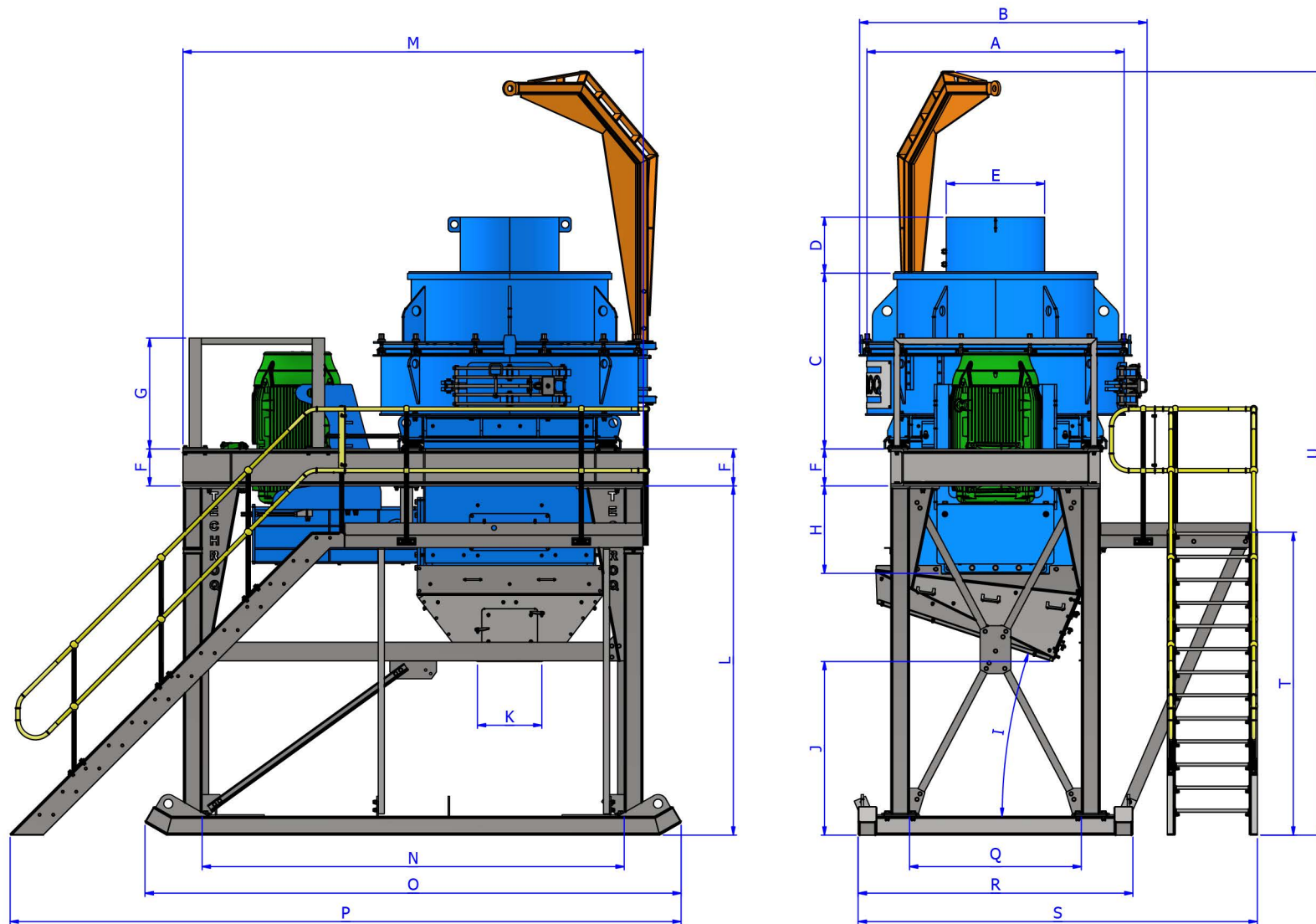


TECHROQ "T" SERIES SINGLE DRIVE VSI CRUSHER DIMENTIONS



	T6R SD		T7R SD		T8R SD		T9R SD	
	mm	inch	mm	inch	mm	inch	mm	inch
A	1534	60	1904	75	2090	82	2334	92
B	1767	70	2140	84	2335	92	2579	102
C	981	39	1427	56	1427	56	1427	56
D	480	19	456	18	456	18	456	18
E	800	31	800	31	800	31	800	31
F	200	8	300	12	300	12	300	12
G	900	35	900	35	900	35	900	35
H	622	24	710	28	710	28	710	28
I	18°	18°	18°	18°	18°	18°	18°	18°
J	1676	66	1405	55	1405	55	1405	55
K	417	16	550	22	550	22	550	22
L	2802	110	2834	112	2834	112	2834	112
M	3000	118	3740	147	3740	147	3740	147
N	2884	114	3428	135	3428	135	3428	135
O	3987	157	4355	171	4355	171	4355	171
P	4759	187	5451	215	5451	215	5451	215
Q	1167	46	1396	55	1396	55	1396	55
R	1991	78	2232	88	2232	88	2232	88
S	2938	116	3243	128	3243	128	3243	128
T	2427	96	2459	97	2459	97	2459	97
U	5709	225	6197	244	6197	244	6197	244



TECHROQ “T” SERIES SINGLE DRIVE VSI CRUSHER SPECIFICATIONS

		T6R - SD	T7R - SD	T8R - SD	T9R - SD
WEIGHT (KG) EXCL. MOTORS		6,500	10,500	10,800	11,300
MAX FEED SIZE	mm	40	40	50	50
	inch	1,6	1,6	2	2
CAPACITY THROUGH ROTOR IN TONS PER HOUR		36-38	88-125	123-210	146-210
ROTOR (RPM)		1520-1800	1500-1800	1400-1800	1400-1800
MOTOR ALTERNATIVE	kW	55-110	132-185	185-315	220-315
	HP	74-148	177-248	248-422	295-422